

ACECO

MANIFOLD VALVES AND COMPONENTS



ACECO MOUNDS, OK	
MODEL BV2 BALL VALVE	
SIZE	4"
PORT	3-1/4"
CWP	6,000 PSI
TEMP.	275 F
P/N	169-1001
BODY	C-STL
BALL	C-STL
SEATS	17-4 S-STL
STEM	17-4 S-STL
SERIAL NO.	B-101

A STEP AHEAD IN MANIFOLD VALVE TECHNOLOGY

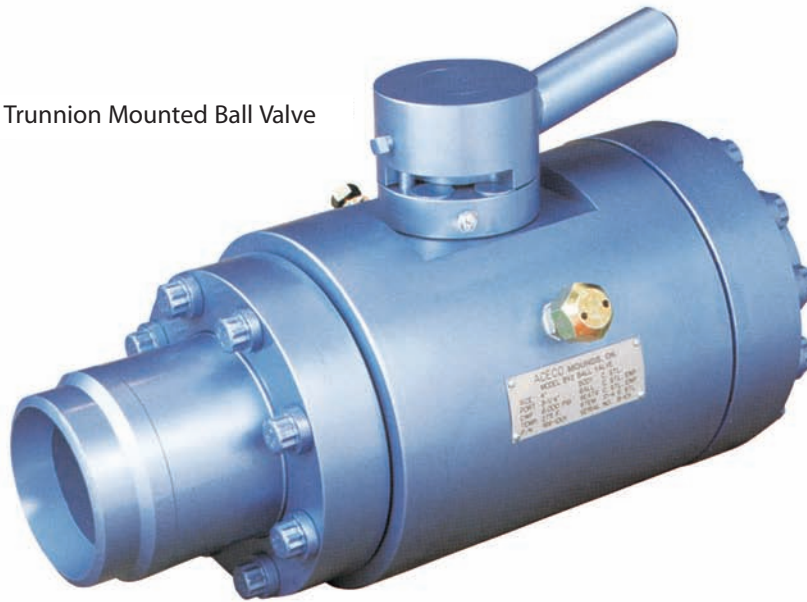
2 Better Design, Better Performance

Featuring advanced valve designs, Aceco Valve Inc., (Aceco) raises the standard for flow control in production manifolds. To meet a wide range of application requirements, Aceco offers a broad line of valves — the Model BV1 Floating Ball Valve, the proprietary Model BV2 Trunnion Mounted Ball Valve and Model CV Check Valve.

The Aceco valve line includes a number of design features: a trunnion mounted ball resulting in lower operating torque requirements (reducing the cost and size of actuators), threaded seat retainers (for additional safety), double block and bleed capabilities

(for easy leak testing) and integral stem lubrication (reducing stem freeze-ups).

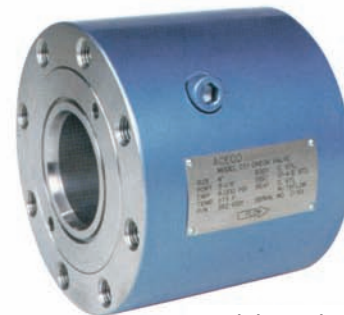
Model BV2 Trunnion Mounted Ball Valve



Model BV1 Floating Ball Valve



Model CV Check Valve

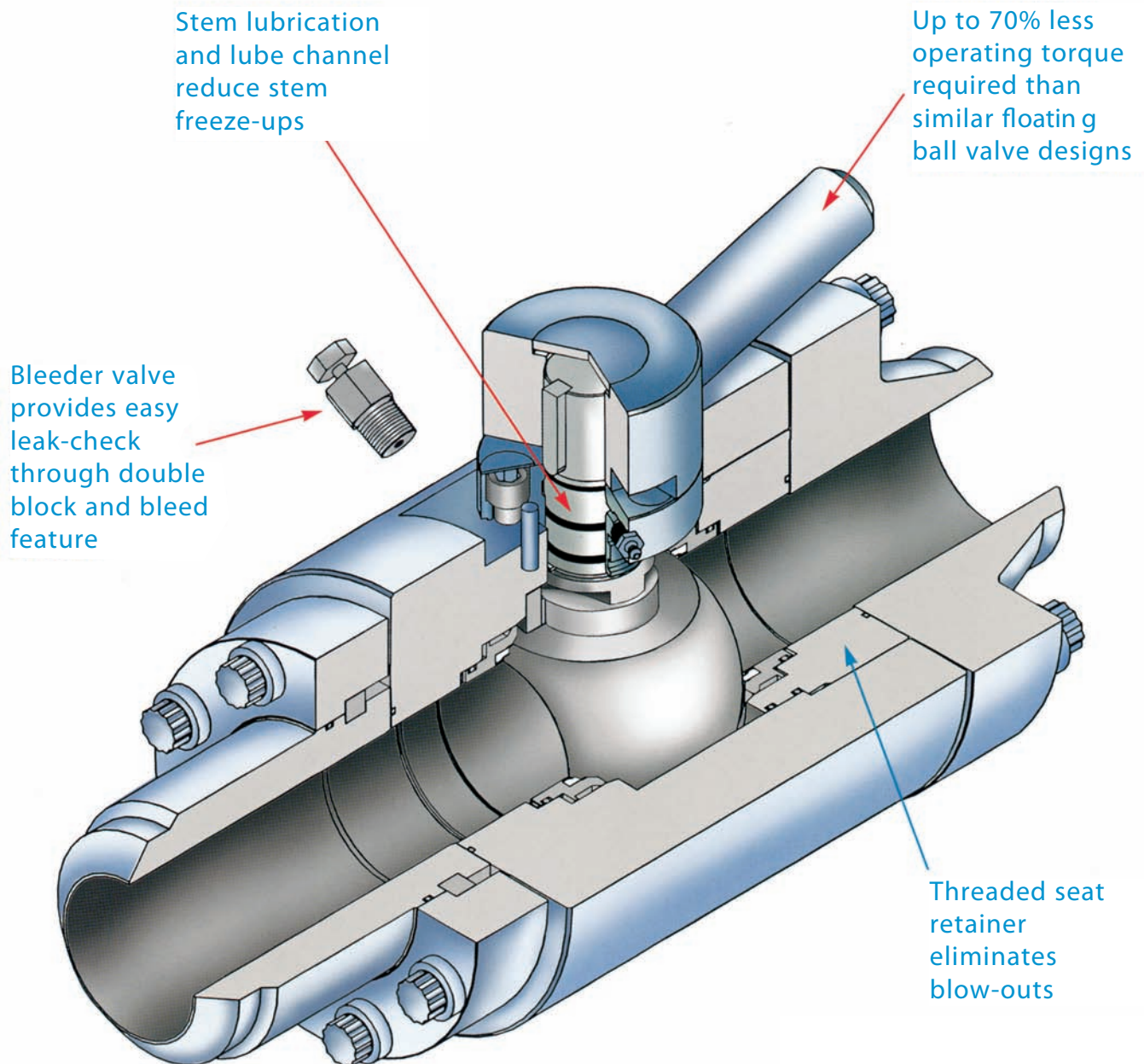


Fire Test Certified to API, 6FA & 6FD

Model BV2 Trunnion Mounted Ball Valve 3

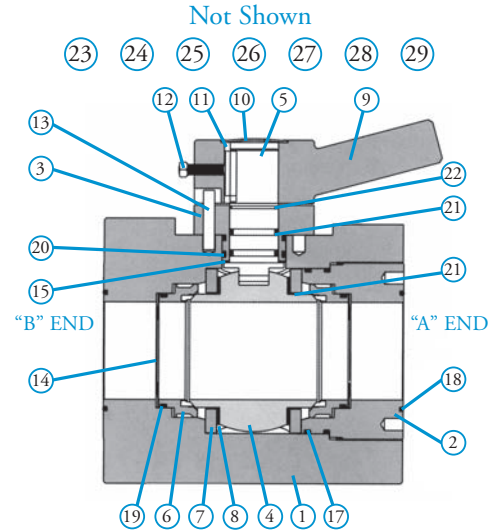
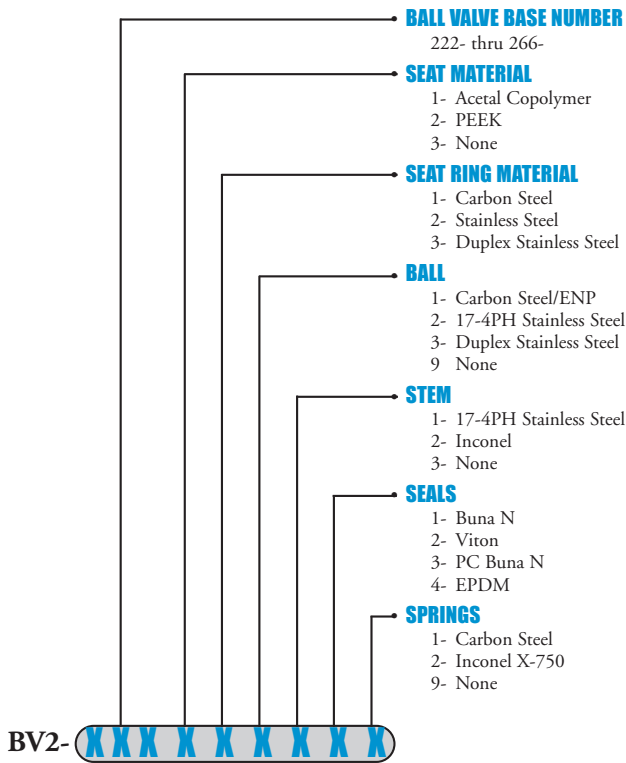
The Model BV2 Trunnion Mounted Ball Valve combines advanced design and quality manufacturing for superior performance in manifold applications. Based on its unique design, the BV2 provides for up to 70% reduction in torque, enhanced safety, easy testing and maintenance, and a long, trouble-free service life.

This advanced ball valve, designed to accommodate high pressure service to 15,000 lbs. psi, is available in sizes ranging from 2" to 10". A choice of body, trim and seal materials ensures the best valve assembly to a specific application.



4 Model BV2 Trunnion Mounted Ball Valve

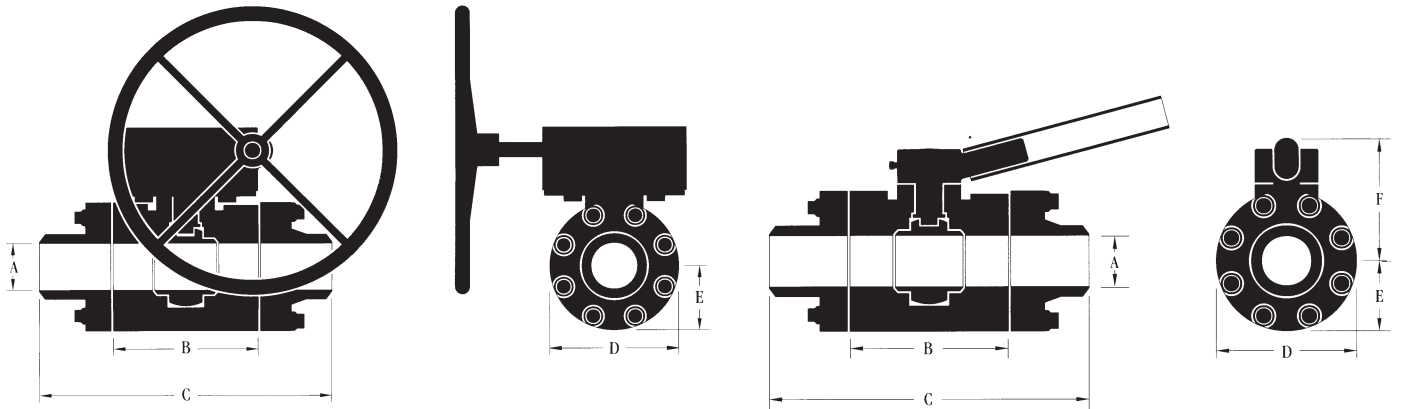
BV2 Ball Valve Repair Kit Part Number Code



Component Parts

INDEX	REQUIRED	DESCRIPTION	MATERIAL
1	1	Body	Carbon Steel or Alloy Steel
2	1	Seat Retainer	Carbon Steel or Alloy Steel
3	1	Bonnet	Carbon Steel
4	1	Trunnion Ball	Carbon Steel or Alloy Steel (ENP) or 17-4 PH S.S.
5	1	Stem	17-4 PH Stainless Steel
6	2	Seat Assembly	Carbon Steel or 17-4 PH S.S./Acetal Copolymer or PEEK
7	2	Trunnion Bearing Support	Carbon Steel
8	2	Trunnion Bearing	Garlock DU
9	1	Handle	Carbon Steel
10	1	Cap	Carbon Steel
11	1	Stem/Handle Key	Carbon Steel
12	1	Set Screw	Carbon Steel - Zinc Plated
13	1	Stop Pin	Carbon Steel
14	Varies	Wave Spring	Carbon Steel or Inconel X-750
15	1	Stem Thrust Bearing	Delrin
16	2	Trunnion Shim	Nylon
17	2	Seat Retainer Seal	Buna, Viton, Peroxide Cured Buna, EPDM, AFLAS, Low Temp Buna
18	2	Face Seal	Buna, Viton, Peroxide Cured Buna, EPDM, AFLAS, Low Temp Buna
19	4	Seat Assembly Seal	Buna, Viton, Peroxide Cured Buna, EPDM, AFLAS, Low Temp Buna
20	2	Bonnet Seal	Buna, Viton, Peroxide Cured Buna, EPDM, AFLAS, Low Temp Buna
21	2	Stem Seal	Buna, Viton, Peroxide Cured Buna, EPDM, AFLAS, Low Temp Buna
22	1	Stem Weather Seal	Buna, Viton, Peroxide Cured Buna, EPDM, AFLAS, Low Temp Buna
23	Varies	Cap Screw Weather Seal	Nylon
24	Varies	Bonnet Cap Screw	Alloy Steel
25	1	Body Lubrication Fitting	Carbon Steel - Zinc Plated or 316 Stainless Steel
26	1	Stem Lubrication Fitting	Carbon Steel - Zinc Plated
27	1	Body Vent/Bleeder Fitting	Carbon Steel - Zinc Plated or 316 Stainless Steel
28	1	End Connection Assembly-"A" End	Carbon Steel or Alloy Steel, B7 Bolting
29	1	End Connection Assembly-"B" End	Carbon Steel or Alloy Steel, B7 Bolting

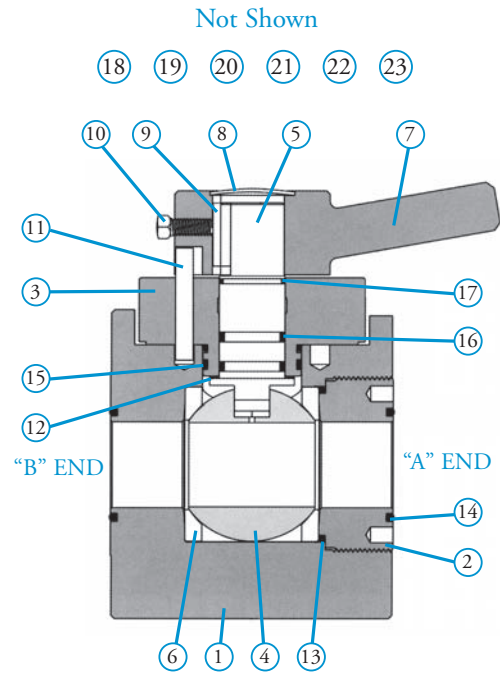
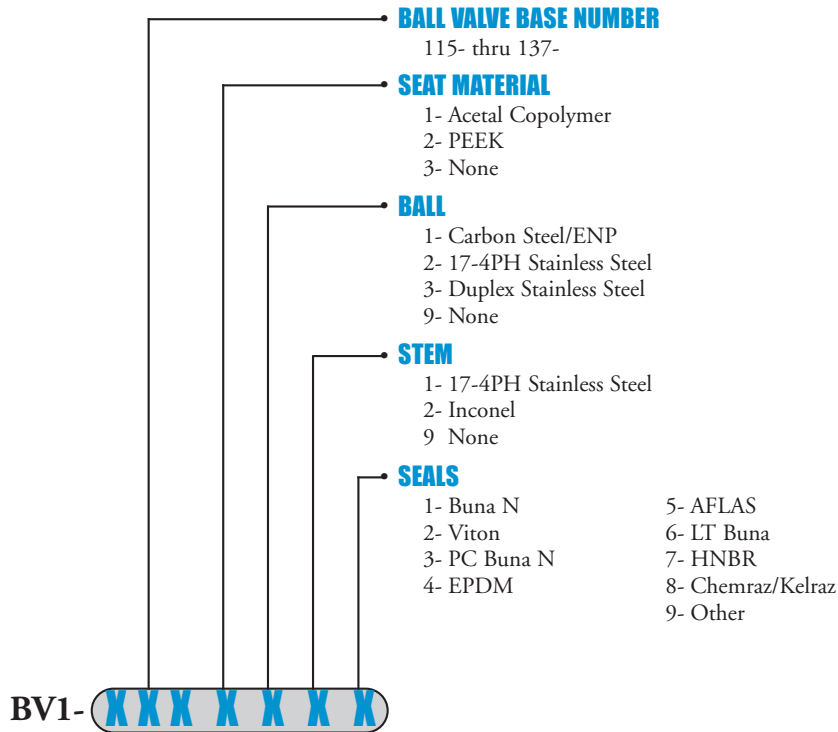
Model BV2 Trunnion Mounted Ball Valve 5



BV2 Working Pressure	Nominal Valve Size (mm)	Assembly Base No.	Std. End Config.	A Ball Port Size (mm)	B Body Group Length (mm)	C Weld Ends Overall (mm)	D Body Width (mm)	E Below Center (mm)	F Height of Handle (mm)
3705 PSI	3" (76)	222-	SLP x SLP	2-9/16" (65)	7" (178)	18-1/2" (470)	7-1/2" (191)	3-3/4" (95)	6-7/8" (175)
	4" (102)	223-	SLP x SLP	3-1/4" (83)	8" (203)	21" (533)	8-3/4" (222)	4-3/8" (111)	7-15/16" (202)
	4" (102)	225-	WNF x SLP	3-3/4" (95)	10" (254)	21-1/2" (546)	9-1/2" (241)	4-3/4" (121)	8-1/32" (204)
	6" (152)	226-	WNF x SLP	5-3/16" (132)	12" (305)	23-1/2" (597)	12-7/8" (327)	6-7/16" (164)	10-3/8" (264)
	8" (203)	256-	WNF x SLP	7-1/16" (179)	15" (381)	29" (737)	16-1/2" (419)	8-1/4" (210)	-
	10" (254)	258-	WNF x WNF	9-1/16" (230)	18" (457)	33" (838)	20" (508)	10" (254)	-
5000 PSI	12" (305)	264-	WNF x WNF	9-3/4" (250)	20" (508)	37" (940)	22-1/2" (572)	11-1/4" (286)	-
	3" (76)	222-	SLP x SLP	2-9/16" (65)	7" (178)	18-1/2" (470)	7-1/2" (191)	3-3/4" (95)	6-7/8" (175)
	4" (102)	224-	WNF x SLP	3-1/4" (83)	10" (254)	21-1/2" (546)	9" (229)	4-1/2" (114)	7-15/16" (202)
	6" (152)	228-	WNF x SLP	4-3/4" (121)	13" (330)	26" (660)	13" (330)	6-1/2" (165)	-
	6" (152)	236-	WNF x SLP	5-3/16" (132)	13" (330)	26" (660)	12-7/8" (327)	6-7/16" (164)	-
	8" (203)	256-	WNF x SLP	7-1/16" (179)	15" (381)	29" (737)	16-1/2" (419)	8-1/4" (210)	-
6000 PSI	10" (254)	258-	WNF x WNF	9-1/16" (230)	18" (457)	33" (838)	20" (508)	10" (254)	-
	12" (305)	264-	WNF x WNF	9-3/4" (250)	20" (508)	37" (940)	22-1/2" (572)	11-1/4" (286)	-
	3" (76)	221-	SLP x SLP	2-1/4" (57)	7" (178)	18-1/2" (470)	7-1/2" (191)	3-3/4" (95)	6-13/16" (173)
	4" (102)	224-	WNF x SLP	3-1/4" (83)	10" (254)	21-1/2" (546)	9" (229)	4-1/2" (114)	7-15/16" (202)
	6" (152)	228-	WNF x SLP	4-3/4" (121)	13" (330)	26" (660)	13" (330)	6-1/2" (165)	-
	8" (203)	256-	WNF x SLP	7-1/16" (179)	15" (381)	29" (737)	16-1/2" (419)	8-1/4" (210)	-
10,000 PSI	10" (254)	258-	WNF x WNF	9-1/16" (230)	18" (457)	33" (838)	20" (508)	10" (254)	-
	12" (305)	264-	WNF x WNF	9-3/4" (250)	20" (508)	37" (940)	22-1/2" (572)	11-1/4" (286)	-
	3" (76)	233-	WNF x WNF	2-5/8" (67)	8" (203)	18" (457)	9" (229)	4-1/2" (114)	7-13/32" (190)
	4" (102)	234-	WNF x WNF	3-1/8" (79)	9" (229)	20" (508)	10" (254)	5" (127)	9-3/16" (233)
	6" (152)	235-	WNF x WNF	4-1/8" (105)	12" (305)	24-1/2" (622)	12-3/4" (324)	6-3/8" (200)	-
	8" (203)	261-	WNF x WNF	6.225" (158)	15" (381)	31" (787)	17-1/2" (445)	8-1/2" (216)	-
15,000 PSI	10" (254)	262-	WNF x WNF	7-3/4" (197)	17" (432)	33" (838)	21" (533)	10-1/2" (267)	-
	12" (305)	264-	WNF x WNF	9-3/4" (250)	20" (508)	37" (940)	22-1/2" (572)	11-1/4" (286)	-
	2" (51)	238-	WNF x WNF	1-1/2" (38)	7" (178)	16" (406)	7.20" (183)	3.6" (91)	5.83" (148)
	3" (76)	240-	WNF x WNF	1.9" (48)	9" (229)	18" (457)	9.90" (251)	4.95" (126)	-
	4" (102)	242-	WNF x WNF	2.6" (66)	10-1/2" (267)	22" (559)	11.70" (297)	5.85" (149)	-
	6" (152)	244-	WNF x WNF	3-5/8" (92)	11-1/2" (292)	24" (607)	14-3/4" (375)	7.38" (187)	-
15,000 PSI	8" (203)	246-	WNF x WNF	5-5/8" (134)	13-1/2" (343)	27-1/2" (699)	19.20" (488)	9.60" (244)	-
	10" (254)	266-	WNF x WNF	7-3/4" (197)	17" (432)	33" (838)	21" (533)	10-1/2" (267)	-

6 Model BV1 Floating Ball Valve

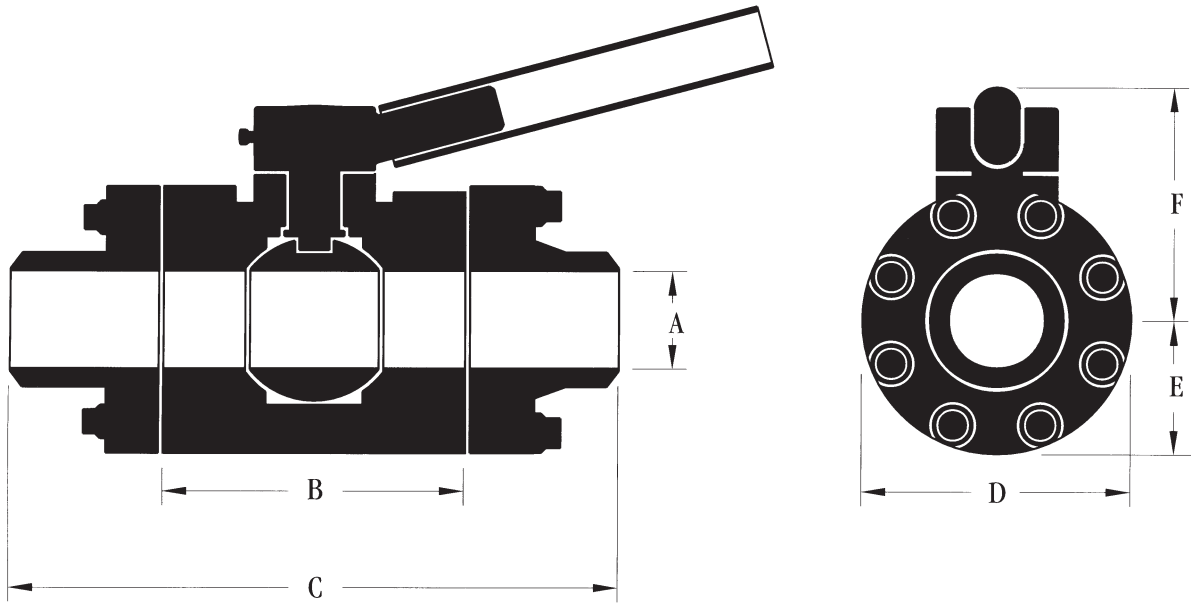
BV1 Ball Valve Repair Kit Part Number Code



Component Parts

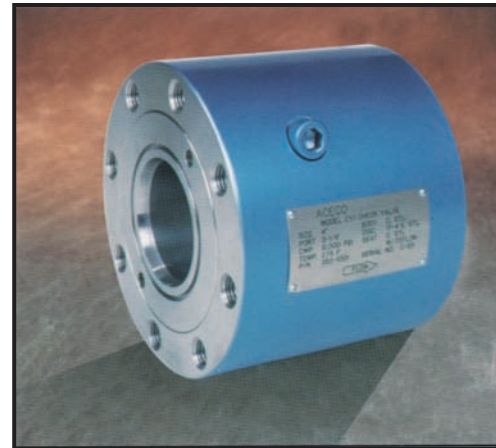
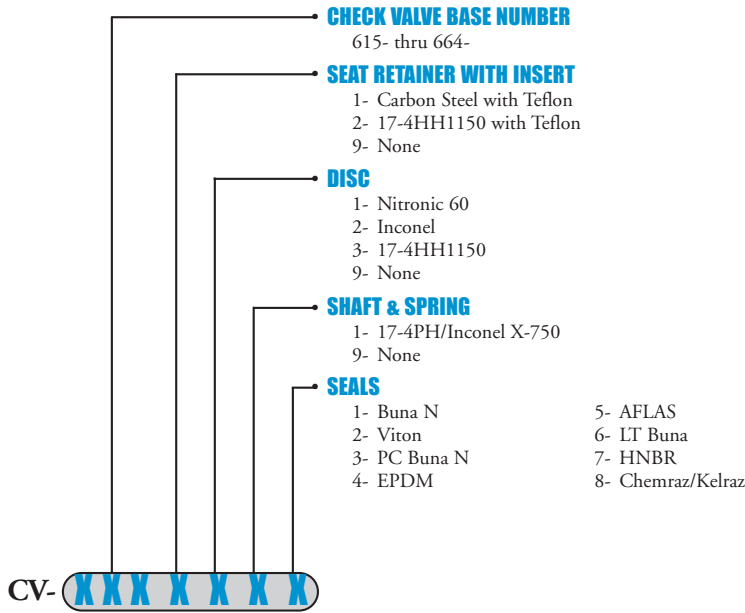
INDEX	REQUIRED	DESCRIPTION	MATERIAL
1	1	Body	Carbon Steel or Alloy Steel
2	1	Seat Retainer	Carbon Steel or Alloy Steel
3	1	Bonnet	Carbon Steel
4	1	Floating Ball	Carbon Steel or Alloy Steel (ENP) or 17-4 PH S.S.
5	1	Stem	17-4 PH Stainless Steel
6	2	Seat	Acetal Copolymer or PEEK
7	1	Handle	Carbon Steel
8	1	Cap	Carbon Steel
9	1	Stem/Handle Key	Carbon Steel
10	1	Set Screw	Carbon Steel - Zinc Plated
11	1	Stop Pin	Carbon Steel
12	1	Stem Thrust Bearing	Delrin
13	1	Seat Retainer Seal	Buna, Viton, Peroxide Cured Buna, EPDM, AFLAS, Low Temp Buna
14	2	Face Seal	Buna, Viton, Peroxide Cured Buna, EPDM, AFLAS, Low Temp Buna
15	2	Bonnet Seal	Buna, Viton, Peroxide Cured Buna, EPDM, AFLAS, Low Temp Buna
16	2	Stem Seal	Buna, Viton, Peroxide Cured Buna, EPDM, AFLAS, Low Temp Buna
17	1	Stem Weather Seal	Buna, Viton, Peroxide Cured Buna, EPDM, AFLAS, Low Temp Buna
18	Varies	Cap Screw Weather Seal	Nylon
19	Varies	Bonnet Cap Screw	Alloy Steel
20	1	Body Lubrication Fitting	Carbon Steel - Zinc Plated or 316 Stainless Steel
21	1	Stem Lubrication Fitting	Carbon Steel - Zinc Plated or 316 Stainless Steel
22	1	End Connection Assembly- "A" End	Carbon Steel or Alloy Steel, B7 Bolting
23	1	End Connection Assembly- "B" End	Carbon Steel or Alloy Steel, B7 Bolting

Dimensional Data



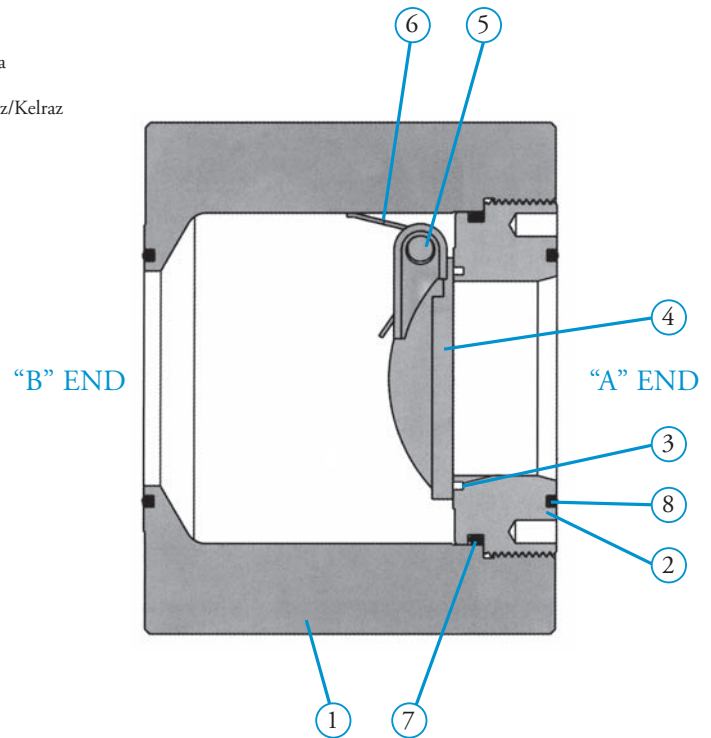
BV1 Working Pressure	Nominal Valve Size (mm)	Assembly Base No.	Std. End Config.	A Ball Port Size (mm)	B Body Group Length (mm)	C Weld Ends Overall (mm)	D Body Width (mm)	E Below Center (mm)	F Height of Handle (mm)
3705 PSI	1" (25)	129-	SLP x SLP	13/16" (21)	4" (102)	12" (305)	4-1/8" (105)	2-1/16" (52)	4-5/16" (110)
	2" (51)	116-	SLP x SLP	1-1/2" (38)	5" (127)	15-1/2" (394)	5-1/2" (140)	2-3/4" (70)	5-1/32" (128)
	3" (76)	123-	SLP x SLP	2-9/16" (65)	7" (178)	18-1/2" (470)	7-1/2" (191)	3-3/4" (95)	6-27/32" (174)
	4" (102)	124-	WNF x SLP	3-1/4" (83)	10" (254)	21-1/2" (546)	9" (229)	4-1/2" (114)	7-15/16" (202)
5000 PSI	1" (25)	129-	SLP x SLP	13/16" (21)	4" (102)	12" (305)	4-1/8" (105)	2-1/16" (52)	4-5/16" (110)
	2" (51)	116-	SLP x SLP	1-1/2" (38)	5" (127)	15-1/2" (394)	5-1/2" (140)	2-3/4" (95)	5-1/32" (128)
	3" (76)	123-	SLP x SLP	2-9/16" (65)	7" (178)	18-1/2" (470)	7-1/2" (191)	3-3/4" (95)	6-27/32" (174)
	4" (102)	124-	WNF x SLP	3-1/4" (83)	10" (254)	21-1/2" (546)	9" (229)	4-1/2" (114)	7-15/16" (202)
6000 PSI	1" (25)	129-	SLP x SLP	13/16" (21)	4" (102)	12" (305)	4-1/8" (105)	2-1/16" (52)	4-5/16" (110)
	2" (51)	116-	SLP x SLP	1-1/2" (38)	5" (127)	15-1/2" (394)	5-1/2" (140)	2-3/4" (95)	5-1/32" (128)
	3" (76)	123-	SLP x SLP	2-9/16" (65)	7" (178)	18-1/2" (470)	7-1/2" (191)	3-3/4" (95)	6-11/16" (170)
	4" (102)	124-	WNF x SLP	3-1/4" (83)	10" (254)	21-1/2" (546)	9" (229)	4-1/2" (114)	7-15/16" (202)
10,000 PSI	1" (25)	129-	SLP x SLP	13-16" (21)	4" (102)	12" (305)	4-1/8" (105)	2-1/16" (52)	4-5/16" (110)
	2" (51)	130-	SLP x SLP	1-1/2" (38)	5-1/2" (140)	16" (406)	6" (152)	3" (76)	5-1/8" (130)
15,000 PSI	1" (25)	137-	WNF x WNF	.60" (15)	4-3/4" (121)	10-3/4" (273)	4-3/8" (111)	2-3/16" (56)	4-11/32" (110)

CV Check Valve Repair Kit Part Number Code



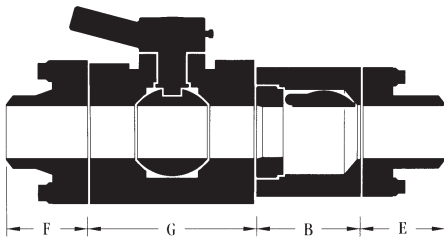
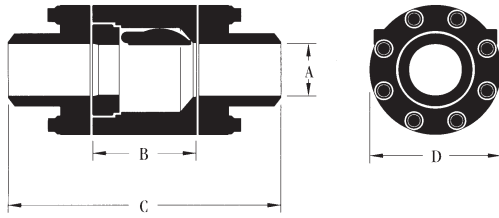
Not Shown

9 10 11 12

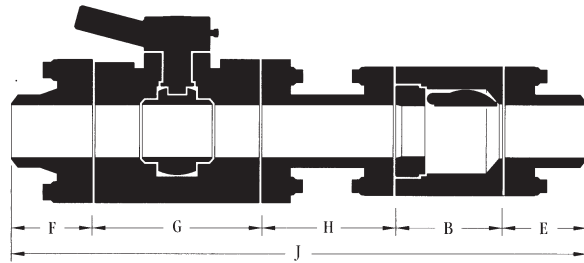


Component Parts

INDEX	REQUIRED	DESCRIPTION	MATERIAL
1	1	Body	Carbon Steel or Alloy Steel
2	1	Seat Retainer	Carbon Steel or Alloy Steel
3	1	Seat Insert	Teflon
4	1	Disc	Nitronic 60 or Incoloy
5	1	Shaft	17-4 PH Stainless Steel
6	1	Spring	Inconel X-750
7	1	Seat Retainer Seal	Buna, Viton, Peroxide Cured Buna, EPDM, AFLAS, Low Temp Buna
8	2	Face Seal	Buna, Viton, Peroxide Cured Buna, EPDM, AFLAS, Low Temp Buna
9	2	Shaft Retainer	302 Stainless Steel
10	2	Shaft Retainer Seal	Buna, Viton, Peroxide Cured Buna, EPDM, AFLAS, Low Temp Buna
11	1	End Connection Assembly- "A" End	Carbon Steel or Alloy Steel, B7 Bolting
12	1	End Connection Assembly- "B" End	Carbon Steel or Alloy Steel, B7 Bolting



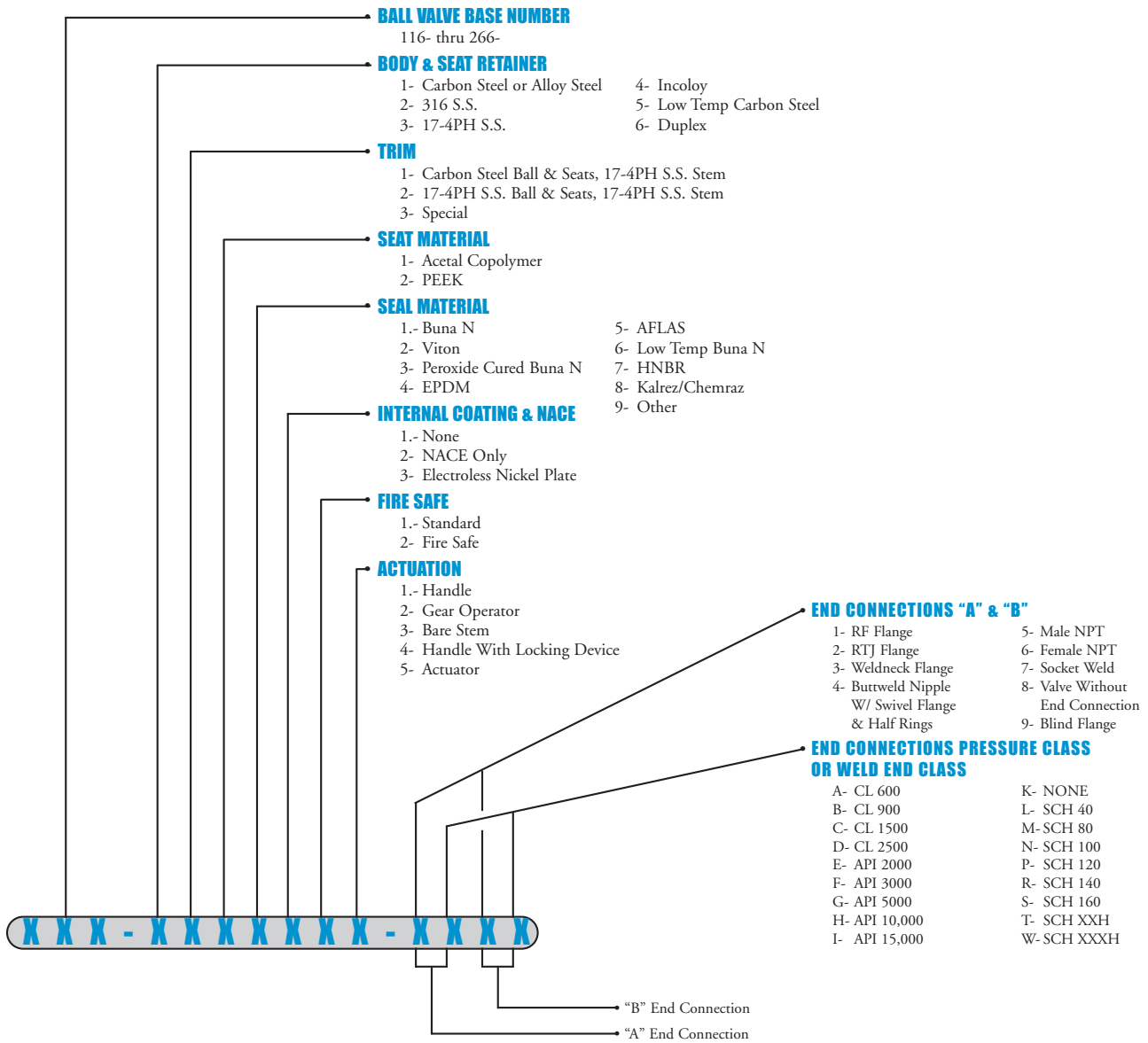
THIS COMBINATION APPLIES ONLY TO 2" MODEL BV1 BALL VALVES & 2" MODEL CV CHECK VALVES WITH 3600, 5000, & 6000 PSI WORKING PRESSURES



THIS COMBINATION APPLIES ONLY TO ALL OTHER MODEL BV1 & BV2 BALL VALVES & ALL MODEL CV CHECK VALVES WITH OTHER SIZES & WORKING PRESSURES

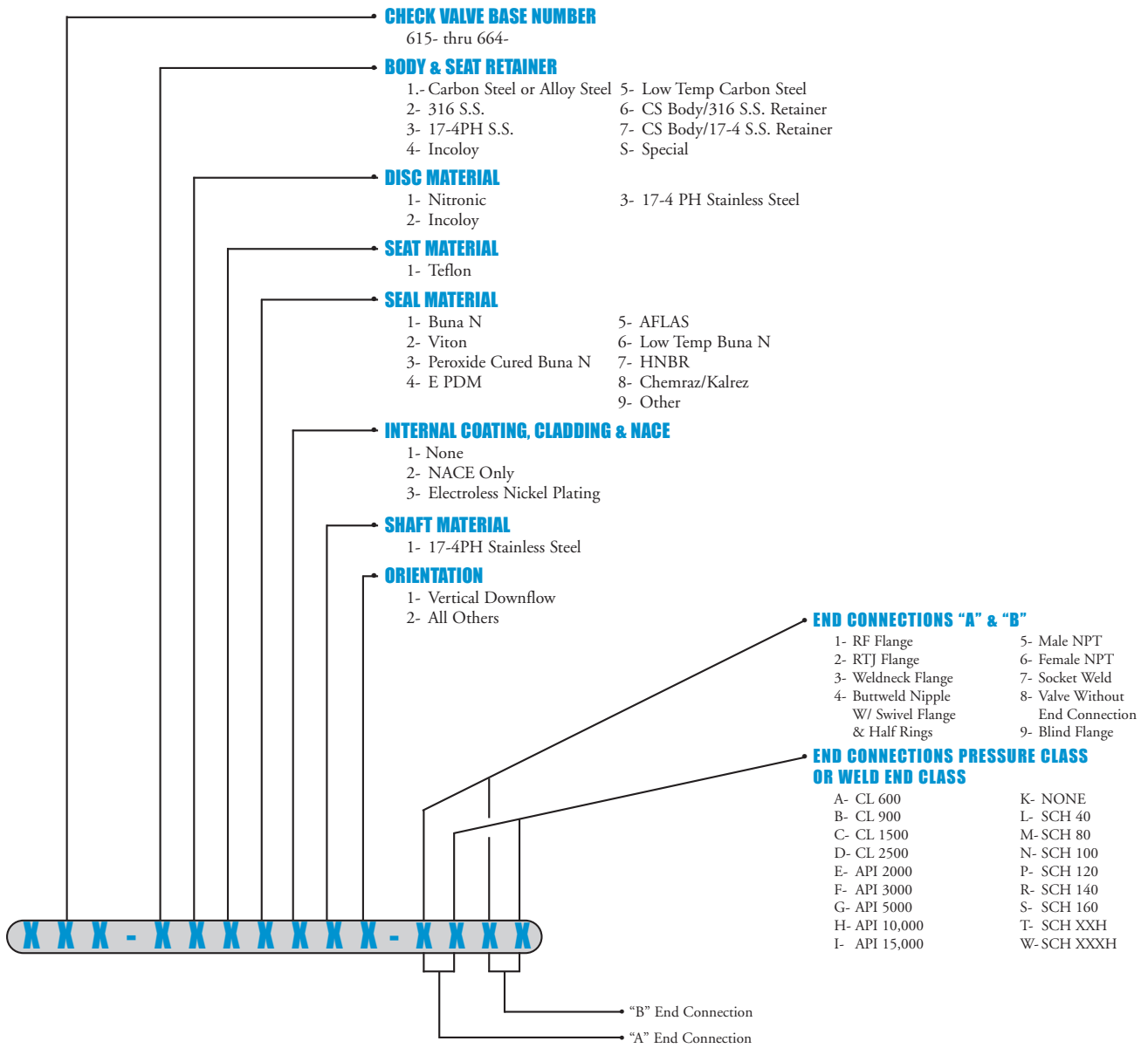
CV Working Pressure	Nominal Valve Size (mm)	Assembly Base No.	Std. End Config.	A Seat Port Size (mm)	B Body Group Length (mm)	C Weld Ends Overall (mm)	D Body Width (mm)	E Check Valve Nipple Length (mm)	F Ball Valve Nipple Length (mm)	G Ball Body Group Length (mm)	H Spool Length (mm)	J Ball & Check Weldends Overall (mm)
3705 PSI	1" (25)	615-	SLP x SLP	13/16" (21)	4" (102)	12" (305)	4-1/8" (105)	4" (102)	4" (102)	4" (102)	6" (152)	22" (559)
	2" (51)	616-	SLP x SLP	1-1/2" (38)	4" (102)	14-1/2" (368)	5-1/4" (133)	5-1/4" (133)	5-1/4" (133)	5" (127)	0 (0)	19-1/2" (495)
	3" (76)	621-	SLP x SLP	2-3/8" (60)	5" (127)	16-1/2" (419)	6-1/4" (159)	5-3/4" (146)	5-3/4" (146)	7" (178)	8" (203)	31-1/2" (800)
	4" (102)	625-	SLP x SLP	3-5/8" (92)	7" (178)	20" (508)	8" (203)	6-1/2" (127)	5" (127)	10" (254)	8-1/2" (216)	37" (940)
	6" (152)	626-	SLP x SLP	5" (127)	9" (229)	22" (559)	10" (254)	6-1/2" (127)	5" (127)	12" (305)	9" (229)	41-1/2" (1,054)
	8" (203)	650-	SLP x SLP	7-1/16" (179)	12" (305)	26" (660)	14-1/4" (362)	7" (178)	7" (178)	15" (381)	12" (305)	53" (1,346)
	10" (254)	652-	WNF x WNF	8-1/2" (216)	15" (381)	30" (762)	16-3/4" (425)	7-1/2" (191)	7-1/2" (191)	17" (432)	12" (305)	59" (1,499)
5000/6000 PSI	1" (25)	615-	SLP x SLP	13/16" (21)	4" (102)	12" (305)	4-1/8" (105)	4" (102)	4" (102)	4" (102)	6" (152)	22" (559)
	2" (51)	616-	SLP x SLP	1-1/2" (38)	4" (102)	14-1/2" (368)	5-1/4" (133)	5-1/4" (133)	5-1/4" (133)	5" (127)	0	19-1/2" (495)
	3" (76)	621-	SLP x SLP	2-3/8" (60)	5" (127)	16-1/2" (409)	6-1/4" (159)	5-3/4" (146)	5-3/4" (146)	7" (178)	8" (203)	31-1/2" (800)
	4" (102)	624-	SLP x SLP	3-1/8" (79)	6-1/2" (165)	19-1/2" (495)	8" (203)	6-1/2" (127)	5" (127)	10" (254)	8" (203)	36" (914)
	6" (152)	628-	SLP x SLP	5" (127)	10" (254)	23" (584)	11-1/2" (292)	6-1/2" (165)	6-1/2" (165)	13" (330)	12" (305)	48" (1,219)
	8" (203)	650-	SLP x SLP	7-1/16" (179)	12" (305)	26" (660)	14-1/4" (362)	7" (178)	7" (178)	15" (381)	12" (305)	53" (1,346)
	10" (254)	654-	WNF x WNF	8-1/2" (216)	15" (381)	30" (762)	17-1/4" (438)	7-1/2" (191)	7-1/2" (191)	17" (432)	12" (305)	59" (1,499)
10,000 PSI	1" (25)	629-	SLP x SLP	13/16" (21)	4" (102)	12" (305)	4-1/8" (105)	4" (102)	4" (102)	4" (102)	6" (152)	22" (559)
	2" (51)	630-	SLP x SLP	1-1/2" (38)	5-1/2" (140)	16" (406)	5-7/8" (149)	5-1/4" (133)	5-1/4" (133)	5-1/2" (140)	7-1/2" (191)	29" (737)
	3" (76)	633-	WNF x WNF	2-3/4" (70)	8" (203)	18" (457)	8-3/4" (222)	5" (127)	5" (127)	8" (203)	9" (229)	35" (889)
	4" (102)	634-	WNF x WNF	3-1/16" (78)	8" (203)	18" (457)	8-3/4" (222)	5" (127)	5-1/2" (140)	9" (229)	9-1/2" (241)	37" (940)
	6" (152)	635-	SLP x SLP	4-1/16" (103)	10" (254)	23" (584)	11-1/2" (292)	6-1/2" (165)	6-1/4" (159)	12" (305)	13" (330)	47-3/4" (1,213)
	8" (203)	661-	WNF x WNF	6.225" (158)	12" (305)	28" (711)	14-1/2" (368)	8" (203)	8" (203)	15" (381)	12" (305)	55" (1,397)
	10" (254)	662-	WNF x WNF	7-3/4" (197)	14" (356)	32" (813)	17-1/4" (438)	9" (229)	8" (203)	17" (432)	-	-
15,000 PSI	1" (25)	637-	WNF x WNF	13/16" (21)	4" (102)	10" (254)	4-1/8" (105)	3" (76)	3" (76)	4-3/4" (121)	-	-
	2" (51)	638-	WNF x WNF	1-3/8" (35)	5-1/2" (140)	14-1/2" (368)	7.20" (183)	4-1/2" (114)	4-1/2" (114)	7" (178)	-	-
	3" (76)	640-	WNF x WNF	1.938" (49)	6" (152)	15" (381)	8-1/2" (216)	4-1/2" (114)	4-1/2" (114)	9" (229)	-	-
	4" (102)	642-	WNF x WNF	2-5/8" (67)	8" (203)	19-1/2" (495)	11-1/4" (286)	5-3/4" (146)	5-3/4" (146)	10-1/2" (267)	-	-
	6" (152)	644-	WNF x WNF	3-3/4" (95)	11-1/2" (292)	24" (607)	14-1/2" (368)	6-1/4" (159)	6-1/4" (159)	11-1/2" (282)	-	-
	8" (203)	646-	WNF x WNF	5-1/2" (140)	12-7/8" (327)	25-3/8" (645)	16-1/2" (419)	6-1/4" (159)	7" (178)	13-1/2" (343)	-	-

10 Models BV1 & BV2 Ball Valve Assemble Part Numbers



WORKING PRESSURE		1"	2"	3"	4"	6"	8"	10"	12"			
3705 PSI	Size x Bore	1" x 13/16"	2" x 1-1/2"	3" x 2-1/4"	3" x 2-9/16"	4" x 3-1/4"	4" x 3-3/4"	-	6" x 5-3/16"	8" x 7-1/16"	10" x 9-1/16"	12" x 9-3/4"
	Model BV1 Base No.	129-	116-	-	123-	-	-	-	-	-	-	-
	Model BV2 Base No.	-	216-	-	222-	223-	225-	-	226-	256-	258-	264-
5000 PSI	Size x Bore	1" x 13/16"	2" x 1-1/2"	3" x 2-1/4"	3" x 2-9/16"	4" x 3-1/4"	-	6" x 4-3/4"	6" x 5-3/16"	8" x 7-1/16"	10" x 9-1/16"	12" x 9-3/4"
	Model BV1 Base No.	129-	116-	-	123-	124-	-	-	-	-	-	-
	Model BV2 Base No.	-	216-	-	222-	224-	-	228-	236-	256-	258-	264-
6000 PSI	Size x Bore	1" x 13/16"	2" x 1-1/2"	3" x 2-1/4"	-	4" x 3-1/4"	-	6" x 4-3/4"	-	8" x 7-1/16"	10" x 9-1/16"	12" x 9-3/4"
	Model BV1 Base No.	129-	116-	-	123-	124-	-	-	-	-	-	-
	Model BV2 Base No.	-	216-	221-	-	224-	-	228-	-	256-	258-	264-
10,000 PSI	Size x Bore	1" x 13-16"	2" x 1-1/2"	-	3" x 2-5/8"	4" x 3-1/8"	-	6" x 4-1/8"	-	8" x 6.225"	10" x 7-3/4"	12" x 9-3/4"
	Model BV1 Base No.	129-	130-	-	-	-	-	-	-	-	-	-
	Model BV2 Base No.	-	230-	-	233-	234-	-	235-	-	261-	262-	264-
15,000 PSI	Size x Bore	1" x 5/8"	2" x 1-1/2"	-	3" x 1.900"	4" x 2.600"	4" x 2.924"	6" x 3-5/8"	6" x 4.600"	8" x 5-5/8"	10" x 7-3/4"	-
	Model BV1 Base No.	137-	-	-	-	-	-	-	-	-	-	-
	Model BV2 Base No.	-	238-	-	240-	242-	243-	244-	245-	246-	266-	-

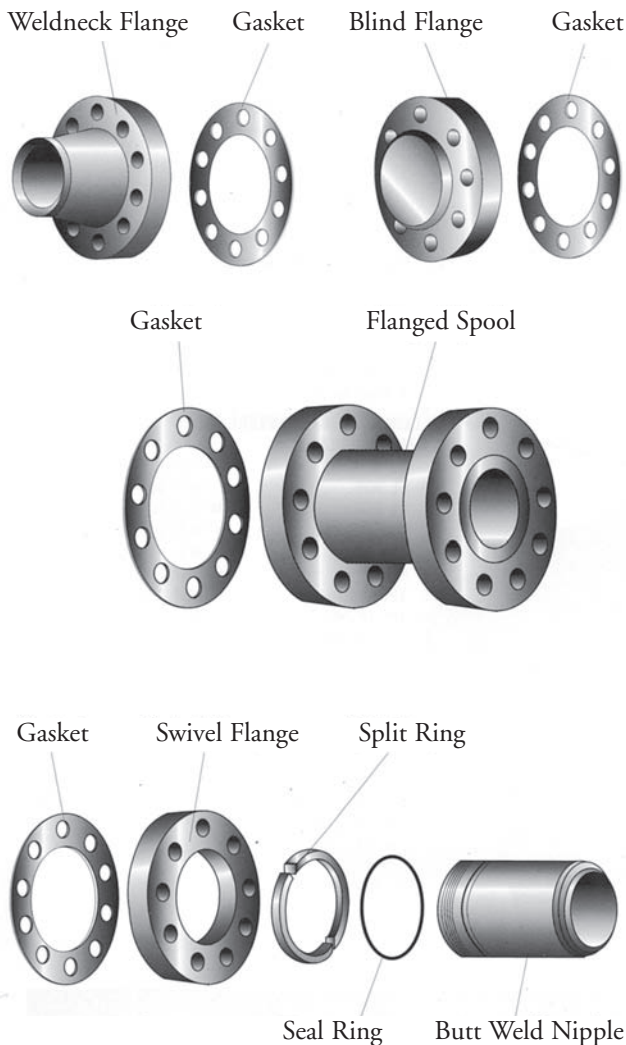
Models CV Check Valve Assembly Part Numbers 11



WORKING PRESSURE		1"	2"	3"	4"	6"	8"	10"	12"
3705 PSI	Size x Bore	1" x 13/16"	2" x 1-1/2"	3" x 2-3/8"	4" x 3-5/8"	6" x 5"	8" x 7-1/16"	10" x 8-1/2"	12" x 9-3/4"
	Base No.	615-	616-	621-	625-	626-	650-	652-	663-
5000 PSI	Size x Bore	1" x 13/16"	2" x 1-1/2"	3" x 2-3/8"	4" x 3-1/8"	6" x 5"	8" x 7-1/16"	10" x 8-1/2"	12" x 9-3/4"
	Base No.	615-	616-	621-	624-	628-	650-	654-	664-
6000 PSI	Size x Bore	1" x 13/16"	2" x 1-1/2"	3" x 2-3/8"	4" x 3-1/8"	6" x 5"	8" x 7-1/16"	10" x 8-1/2"	12" x 9-3/4"
	Base No.	615-	616-	621-	624-	628-	650-	654-	664-
10,000 PSI	Size x Bore	1" x 13/16"	2" x 1-1/2"	3" x 2-3/4"	4" x 3-1/16"	6" x 4-1/16"	8" x 6.22"	10" x 7-3/4"	12" x 9-3/4"
	Base No.	629-	630-	633-	634-	635-	661-	662-	664-
15,000 PSI	Size x Bore	1" x 13/16"	2" x 1-3/8"	3" x 1-15/16"	4" x 2-5/8"	6" x 3-3/4"	8" x 5-1/2"	-	-
	Base No.	637-	638-	640-	642-	644-	646-	-	-

End Connections & Brand Cross Reference

There are several end connection options available for installation on manifold systems. These connections are designed for easy valve removal without significant line spread.



Brand Cross Reference						
ACECO			KF		FMC	
Model BV1 Ball Valve	Model BV2 Ball Valve	Model CV Check Valve	Series NB Ball Valve	Series NC Check Valve	Model B Ball Valve	Model C Check Valve
129-	-	615-	415-	440-	B0861-	C0861-
116-	-	616-	416-	441-	B1561-	C1561-
123-	221-	621-	421-	444-	B2260-	C2360-
123-	222-	621-	422-	444-	B2650-	C2360-
-	223-	624-	423-	446-	B3336-	C3160-
124-	224-	624-	424-	445-	B3260-	C3160-
-	225-	625-	425-	446-	B3736-	C3636-
-	226-	626-	426-	447-	B5236-	C5036-
-	228-	628-	428-	449-	B4760-	C4660-
129-	-	629-	429-	450-	B0811-	C0811-
130-	-	630-	430-	451-	B1510-	C1510-
-	233-	633-	433-	454-	B2610-	C2710-
-	234-	634-	434-	455-	B3110-	C3110-
-	235-	635-	435-	456-	B4110-	C4110-
-	236-	628-	436-	449-	B5250-	C5050-
137-	-	637-	-	-	B0815-	C0815-
-	238-	638-	-	-	B1815-	C1815-
-	256-	650-	437-	458-	B7136-	C7136-
-	258-	652-	464-	461-	B9136-	C8536-
-	258-	654-	465-	462-	B8560-	C8560-
-	256-	650-	439-	459-	B6860-	C6860-
-	258-	654-	465-	462-	B8560-	C8560-

GUARANTEE AND DISCLAIMER OF WARRANTIES

ACECO hereby warrants that all Products manufactured by ACECO are free of defects of material and workmanship for a period of one (1) year from the date shipped, providing that such Products are used in the service and within the pressure ranges for which they have been manufactured. EXCEPT FOR THE FOREGOING EXPRESS WARRANTY, ACECO DISCLAIMS ALL WARRANTIES, EXPRESS OR IMPLIED, INCLUDING WITHOUT LIMITATION, THE IMPLIED WARRANTIES OF MERCHANTABILITY AND FITNESS FOR A PARTICULAR PURPOSE. ACECO'S SOLE OBLIGATION, AND THE EXCLUSIVE REMEDY OF THE PURCHASER, UNDER THE EXPRESS WARRANTY CREATED HEREBY IS LIMITED TO, AT ACECO'S OPTION, (I) REPAIR OR REPLACEMENT OF ANY DEFECTIVE PRODUCT OR (II) REDUCTION OF A REASONABLE PORTION OF THE DEFECTIVE PRODUCT'S PURCHASE PRICE. THE STATED WARRANTY AND REMEDY PROVIDED ARE IN LIEU OF THE POSSIBLE LIABILITY AND DAMAGES AGAINST ACECO AND IN NO EVENT SHALL ACECO BE LIABLE FOR SPECIAL, INDIRECT OR CONSEQUENTIAL DAMAGES RESULTING FROM A BREACH OF THIS WARRANTY OR ANY OTHER PROVISION OF THESE TERMS & CONDITIONS OF SALE OR OTHERWISE ARISING OUT OF OR IN CONNECTION WITH THE PRODUCTS OR THEIR SALE, DELIVERY, DISTRIBUTION, INSTALLATION, MAINTENANCE, OPERATION, SERVICE, PERFORMANCE OR USE, INCLUDING, WITHOUT LIMITATION, ANY LOSS OR USE, LOST REVENUES, LOST PROFITS, DAMAGE TO ASSOCIATED EQUIPMENT OR TO FACILITIES, COSTS OF SUBSTITUTE EQUIPMENT, FACILITIES OR SERVICES, AND ANY SIMILAR OR DISSIMILAR LOSSES, COSTS OR DAMAGES. No agent or representative of ACECO is authorized to vary or add to the said terms and conditions or otherwise to make any representation whatsoever to the Purchaser which shall modify the said terms and conditions including affirmations of fact or promises that can create express warranties.

These Terms & Conditions of Sale and the agreement between ACECO and the Purchaser shall be construed in accordance with the laws of the State of Oklahoma (but not including any of its conflict of law rules which would direct or refer to the laws of another jurisdiction). Because performance, by way of payment, is required to be made at the offices of ACECO in Mounds, Oklahoma, venue of any dispute or suit arising directly or indirectly hereunder shall lie within an Oklahoma State District Court in and for Okmulgee County, Oklahoma or in the United States District Court for Eastern Oklahoma. In the event suit, action, or seizure is instituted to enforce or interpret any right granted to ACECO herein, ACECO shall be entitled to recover from the Purchaser, in addition to any other relief, ACECO's reasonable attorney's fees, costs and expenses.



2300 Alternate 75 Highway
P.O. Box 339
Mounds, Oklahoma 74047
(918) 827-3669
FAX (918) 827-6092
www.acecovalves.com

Distributed By: